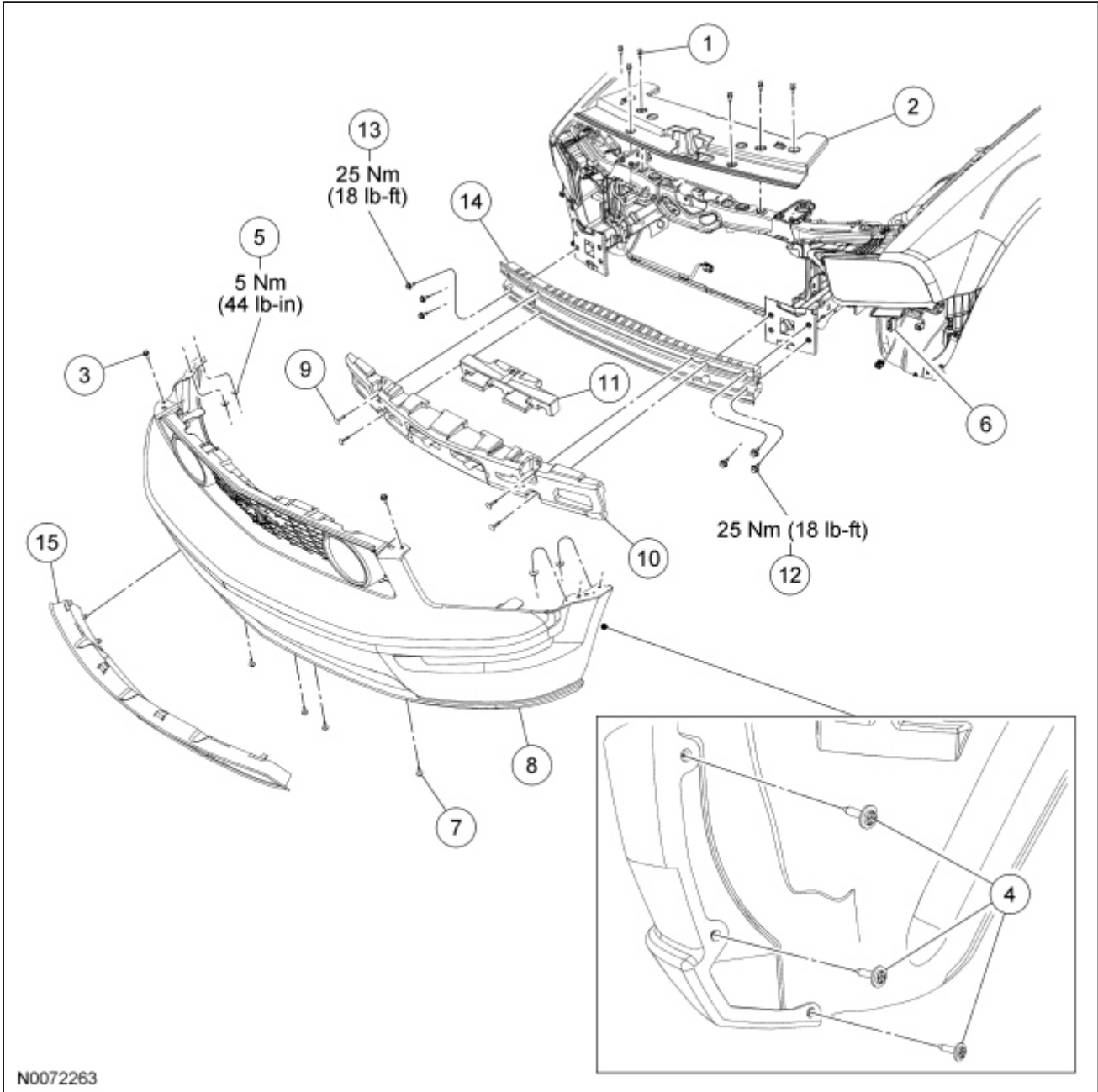


## Bumper — Exploded View, Front

### Base Vehicle and GT

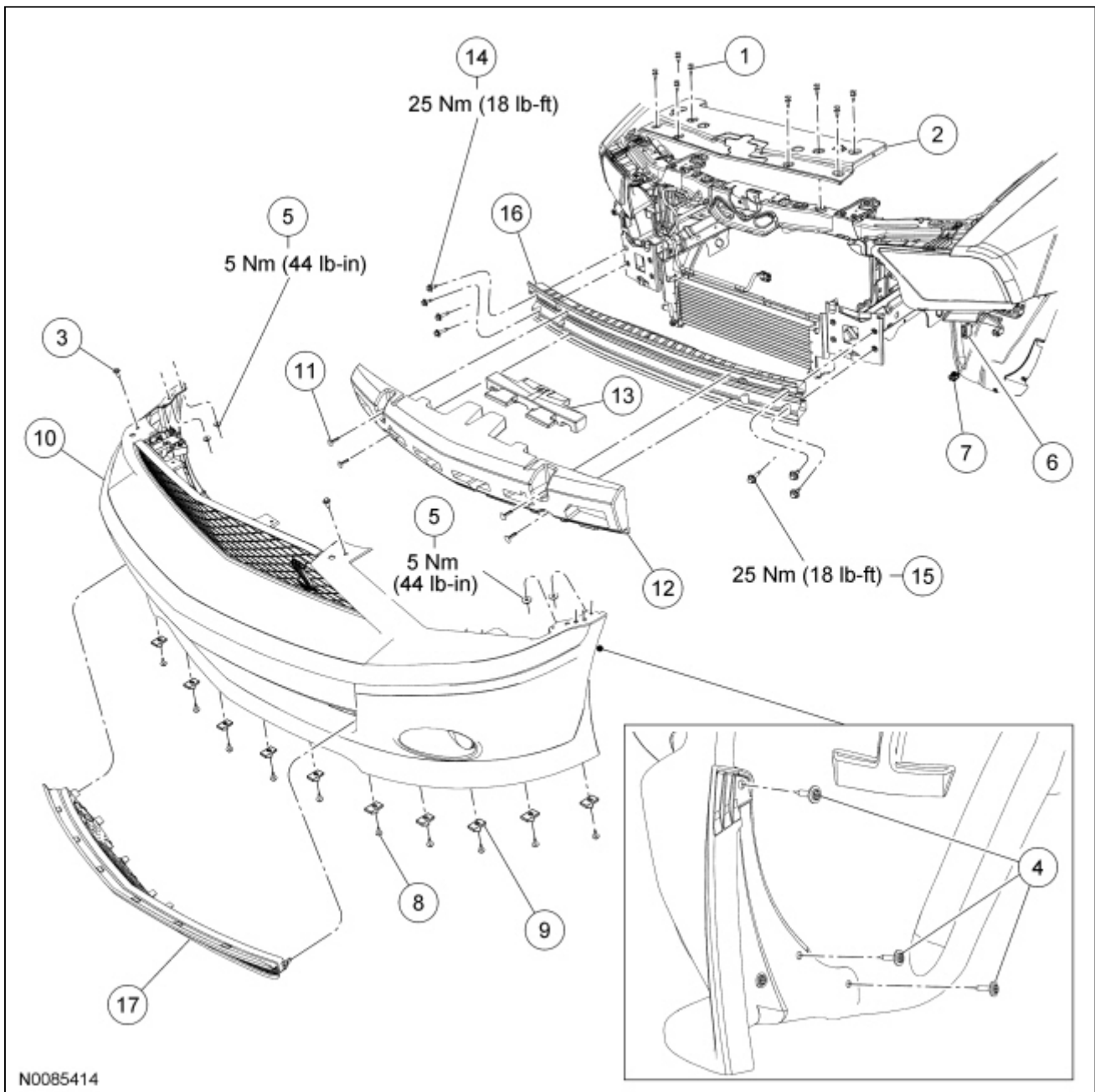


N0072263

Item	Part Number	Description
1	W705436	Upper radiator sight shield pin-type retainer (6 required)
2	8C291	Upper radiator sight shield
3	W712277	Front bumper cover bolt (upper) (2 required)
4	W706805	Front fender splash shield-to-front bumper cover screws (6 required)
5	W711059	Front bumper cover-to-reinforcement nut (4 required)
6	—	Side marker light electrical connector (part of 14A464)
7	N801169	Lower air deflector screw (4 required)

8	17D957	Front bumper cover
9	310D12	Front bumper isolator pin-type retainer (4 required)
10	17E898	Front bumper lower outer isolator
11	17C882A	Front bumper upper center inner isolator (V6 only)
11	17C882B	Front bumper upper center inner isolator (GT only)
12	W711097	Front bumper outboard bolt (4 required)
13	W711457	Front bumper inboard bolt (2 required)
14	17757	Front bumper
15	17B814	Lower radiator grille

### Shelby GT 500



Item	Part Number	Description
1	W705436	Upper radiator sight shield pin-type retainer (8 required)

2	8C291	Upper radiator sight shield
3	W712277	Front bumper cover bolt (upper) (2 required)
4	W706805	Front fender splash shield-to-front bumper cover screws (6 required)
5	W711059	Front bumper cover-to-reinforcement nuts (4 required)
6	—	Side marker light electrical connector
7	—	Fog lamp electrical connector
8	W713519	Lower air deflector bolt (10 required)
9	W713547	Lower air deflector nut (10 required)
10	17D957	Front bumper cover
11	310D12	Front bumper isolator pin-type retainer (4 required)
12	17C882A	Front bumper lower outer isolator
13	17C947	Front bumper pad-impact
14	W711097	Front bumper bolt (outboard) (4 required)
15	W711457	Front bumper bolt (inboard) (3 required)
16	17757	Front bumper
17	17B814	Lower radiator grille

1. For additional information, refer to the procedures in this section.
-